

## Time setting

The professional LEDI® clocks can display the same time information, synchronized by a master clock or a time server.  
On standalone and pulse version, the time setting is manual.  
Display date and time alternately.

## Internal time base

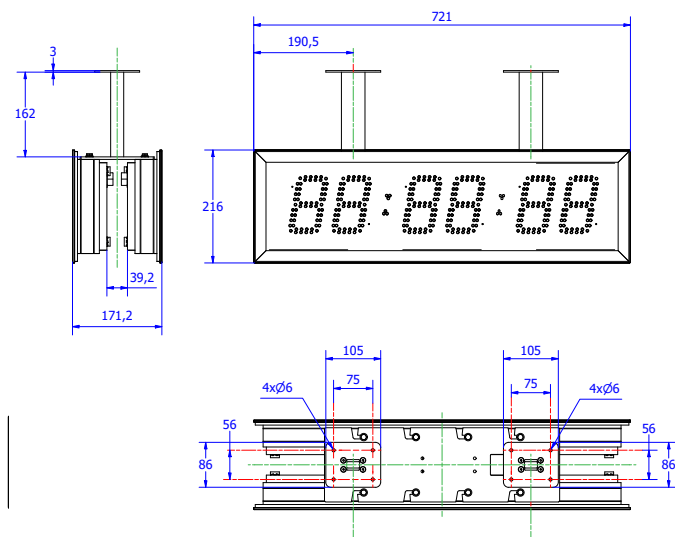
The LEDI® clock has its own temperature compensated TCXO time base which allows an accuracy about **0.1 sec / day** between 0° to 40°C in case of synchronization loss.

## Security

Backup of time information in case of mains absence, by lithium battery: 10 years.

## Specifications

<b>Power supply</b>	230VAC 50/60Hz      115VAC 50/60Hz Version NTP : PoE (Power over Ethernet)
<b>Certifications</b>	CE, EN 62368, EN 55032, EN 55035, ROHS, IEC 60950-22:2016 (2nd Edition)
<b>Maximum consumption</b>	15.04 VA
<b>IP</b>	65 front face / 54 rear face
<b>MTBF</b>	56 225 h
<b>MTTR</b>	Display : 5 min      CPU : 5 min Power supply : 5 min
<b>Weight</b>	2,8 kg
<b>Dimensions</b>	721x216x75 mm (LxHxD)
<b>Digit height</b>	Hour/minute: 110 mm Seconds: 110 mm
<b>Maximal distance of legibility</b>	Up to 60 meters
<b>Operating temperature</b>	-20° to 60°C
<b>Hygrometry</b>	95% to 40°C
<b>Electrical equipment classification</b>	⊕ Class 1 (in 115 ou 230 VAC) ⊕ Class 3 (in PoE)



## LEDI® 12.S Waterproof

**Professional LED clock,**  
*robust and stylish combining the best of the technology*  
**for an easy installation and operation.**

*Recommended use under cover*

## Key features

- **Perfectly silent**, direct and accurate reading of time
- **SMD bi-colour LED technology** allows to change the display colour in red, green or yellow
- **The patented technology of the light guide** provides a perfect regularity of the brightness and viewing angle at 160°
- **The front face of the LEDI®** is coated with an antiglare and anti-scratch film giving an extraordinary 60000:1 level of contrast
- **A protection against over-voltage and industrial interference** via EMC filter
- **An easy "plug and play" installation**
- **An anodized aluminium case** wall mount or bracket
- **Securit glass 4mm** in front face
- **Tropicalized**
- **Its participation in the sustainable development**, life span over 20 years
- **2 years warranty**
- **Up to 10 brightness levels** for optimal viewing
- **Remote and batch configuration** via the optional "remote configuration" software
- Selection of colours (independently between wave and numbers) and brightness
- Behaviour of central dots (fixed, blinking...)

## NTP Version

### Advanced version (option K)

- Synchronisation of up to 4 NTPv4 servers and setting of advanced NTP options (poll rate / burst / preference order)
- Time zone selection and automatic summer/winter time change
- Supervision by SNMP v1, V2c, v3, SYSLOG, Consultation of event logs
- Configurations accessible via http and/or https
- Possibility of changing the display colour according to events (e.g. a loss of synchronisation changes the display colour to red)
- IPv4 / IPv6 protocols
- 12h or 24h mode
- Stopwatch/timer: advanced options fully configurable and programmable (start time, end time, colour change...), control and configuration via web page, GTCHRONO or SNMP
- Sensor\*: Option to manage up to 3 different SNMP sensors (Temperature, Hygrometry, ...)

*\*Within the limits of the display*

### Standard Version (option N or W)

- Synchronisation of up to 3 NTP servers
- Time zone selection and automatic summer/winter time change
- Supervision by SNMP v1, v2.c
- Configurations accessible via http and/or https
- IPv4 / IPv6 protocols
- Stopwatch/timer: simple option (triggering of a count sequence or countdown by button via web page or SNMP)
- Sensor: option to manage an SNMP Temperature or Humidity sensor

## Synchronisation Input

- TCXO Quartz Standalone
- DCF77 (EUROPE) with antenna or DCF24V with pair cable
- GPS
- Reverse parallel minute receiver 24V or 1/2 reverse minute series
- AFNOR NFS 87500 or IRIG B (to specify at purchase order)
- ASCII RS232, ASCII RS422/485
- Standard NTP (Option N) or advanced NTP (Option K) Ethernet 10/100BaseT
- Standard NTP Wi-Fi (IEEE 802.11 a/b/g/n standards 2.4 Ghz)
- SMPTE

LEDI® 12.S  
Waterproof

		ITEM CODE							
		ND396E	/						
		FACE	↑	↑	↑	↑	↑	↑	↑
		Simple face	1						
		Double face	2						
		VERSION							
		Standalone: radio-synchronisable quartz time base 3.6864 MHz Holdover +/- 0.1 sec/24 h (between 0 and 40°C)	2						
		DCF Radiosynchronisation. DCF Antenna + 4m cable	D						
		<sup>(1)</sup> DCF 24Vdc Synchronisation (Synchro in telecom pair cable)	P						
		GPS Radiosynchronisation. GPS Antenna + 10m cable	G						
		6mA/24V reversed parallel minute pulses receiver clock	3						
		<sup>(2)</sup> AFNOR NFS 87500 Receiver	8						
		ASCII RS 232 Receiver	B						
		ASCII 422/485 Receiver	Q						
		ADVANCED NTP Synchronisation (Ethernet RJ45 10/100)	K						
		STANDARD NTP Synchronisation (Ethernet RJ45 10/100)	N						
		Synchronisation NTP Version STANDARD (Wi-Fi IEEE 802.11 a/b/g/n standard 2,4 Ghz)	W						
<sup>(1)</sup> Always combine this version with 230VAC 50/60Hz power supply only									
<sup>(2)</sup> If IIRIG.B. version, please specify as a note on your order									
		PROGRAMMABLE LED							
		High brightness LED: Selectable colour, red, yellow, green	4						
		FRONT FACE							
		Securit glass 4mm – IP65 indoor or outdoor					E		
		Polymere (PMMA) – IP65 indoor only					M		
		MOUNTING							
		(Simple face) Standard: Wall mounting with bracket					1		
		(Simple or double face) Please refer to the brackets technical sheet					P		
		COULOUR CASING							
		Anodized grey aluminium					7		
		Power supply							
		Standard: 230VAC 50/60Hz					0		
		115VAC 50/60Hz (Excluding version P)					1		
		Power over Ethernet (PoE - IEEE802.3af) 1 cable Simple face (version N or K)					7		
		Power over Ethernet (PoE - IEEE802.3af) 2 cables Double face (version N or K)					8		
		OPTIONS							
		<sup>(4)</sup> Timer function via web interface (versions K, N or W)					F		
		<sup>(3)</sup> Timer: touch housing control block (flush and wall mount version) + 4 meters of cable - up/down					I		
		<sup>(6)</sup> Timer: touch housing control block (flush and wall mount version) + 4 meters of cable - up/down					I2		
		<sup>(3)</sup> Timer: touch housing control block (flush and wall mount version) + 15 meters of cable - up/down					C		
		<sup>(3)</sup> Temperature probe (accuracy ± 0.5°C) + 5 m cable: temperature and hour displayed alternately					T		
		<sup>(5)</sup> IP Temperature sensor module (versions K, N or W)					G		
		<sup>(3)</sup> Timer output or stopwatch contact					E		
		<sup>(3)</sup> ASCII RS232 output (not to be combined with ASCII input version)					A		
		or:							
		<sup>(3)</sup> ASCII RS422-485 output (not to be combined with ASCII input version)					R		

<sup>(3)</sup> Option NOT available in NTP versions (N, K: Ethernet or W: Wi-Fi)

<sup>(4)</sup> Option NOT available in NTP versions (N, K: Ethernet or W: Wi-Fi)

<sup>(5)</sup> Option for NTP versions (Ethernet or Wi-Fi) only, and compatible with a Temperature Sensor via IP station to be ordered separately, see module 92261

<sup>(6)</sup> Option available in NTP versions (N: Ethernet or W: Wi-Fi)