



Time setting

The professional LEDI® clocks can display the same time information, synchronized by a master clock or a time server.

Internal time base

The LEDI® clock has its own temperature compensated TCXO time base which allows an accuracy about **0.1 sec / day** between 0° to 40°C in case of synchronization loss.

Security

Backup of time information in case of mains absence, by lithium battery: 10 years.

Specifications

Power supply	115-230 VAC 50/60Hz - 18-36 VDC PoE (Power over Ethernet)
Certifications	CE, EN 62368, EN 55032, EN 55035, ROHS
Maximum consumption	
IP	30
MTBF	56 000 h
MTTR	10 min
Weight	~ 1kg
Dimensions	Front face: 190(l)x130(h) mm. Thickness: 73 mm - Depth: 141 mm
Digit height	Height of the hour, minute and second digits: 20mm
Maximal distance of legibility	7 meters
Operating temperature	-10 à 50°C
Electrical equipment classification	⊕ Classe 1 (Power supply 230 VAC) ⊖ Class 3 (in 12, 24, 48 VDC or PoE)

Key features

- Perfectly silent, direct and accurate reading of time
- 7 segment digits display hour, minute, second
- 12h or 24h mode
- Configurable LED display Red / Green / Yellow
- SNMP (NTP Version)
- Configurable time/date alternation
- Brightness setting
- Case aluminium
- Its participation in the sustainable development, life span over 20 years
- 2 years warranty
- Synchronisation of up to 4 NTPv4 servers and setting of advanced NTP options (poll rate / burst / preference order)
- Time zone selection and automatic summer/winter time change
- Supervision by SNMP v1, V2c, v3, SYSLOG, Consultation of event logs
- Configurations accessible via http and/or https
- IPv4 / IPv6 protocols
- Stopwatch/timer: advanced options fully configurable and programmable (start time, end time, colour change...), control and configuration via web page, GTCHRONO or SNMP

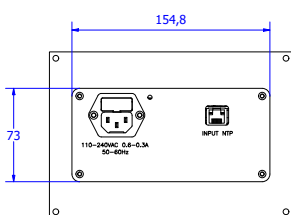
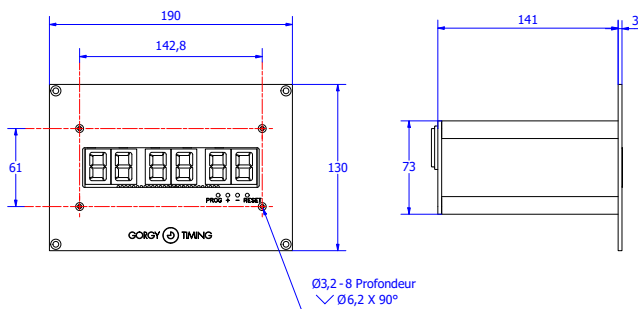
Synchronisation Input

- NTP – Ethernet 10/100 base T

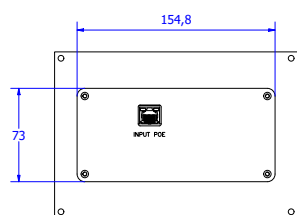
Storage conditions

Conditions	Temperature	Hygrometry	Maximum cumulative duration
Extreme	-20°C to 0°C	10 to 85% HR	48h
Extreme	40°C to 70°C	10 to 85% HR	48h
Normal	10°C to 40°C	10 to 85% HR	6 months

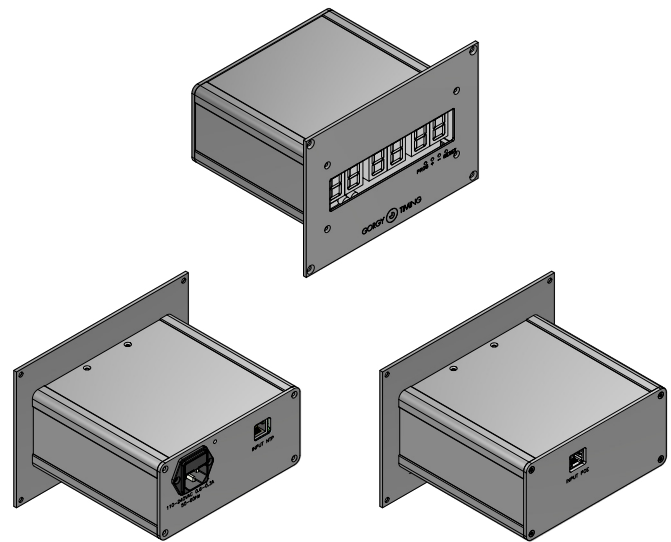
The product must be switched on for 4 hours every 3 months to maintain its characteristics. See user guide for more information



Rear face for NTP/230 VAC



Rear face for NTP/POE version



Rear face for NTP/230 VAC

Rear face for NTP/POE version

LEDI® 2.S NTP

		ITEM CODE					
		92212	/				
			↑	↑	↑	↑	↑
VERSION							
NTP – Ethernet 10/100 base T ■		K					
DISPLAY							
Configurable LED display Red Green Yellow Hours Minutes Seconds Height 20mm ■			11				
Red Display Hours Minutes Height 20mm - Seconds Height 14mm			12				
Power supply							
230VAC/50-60Hz ■			0				
115VAC/50-60Hz			1				
PoE (Power over Ethernet)			7				
18-36VDC			3				
FRONT FACE							
Front face grey anodised aluminium dimensions: Lg.190 x Ht.130 mm ■			1				
Front face black anodised aluminium dimensions: Lg.190 x Ht.75 mm ■			2				
Front face grey anodised aluminium dimensions: Lg.174 x Ht.93 mm ■			4				
Grey anodized recessed front panel dimensions: 19" 2U ■			8				
OPTION							
Tropicalization ■						U	