

Time setting

The professional LEDI® clocks can display the same time information, synchronized by a master clock or a time server.

Specifications

Power supply	230VAC 50/60Hz 115VAC 50/60Hz Low voltage 24VDC
Certifications	CE, EN 62368, EN 55032, EN 55035, ROHS
Maximum consumption	6 VA
IP	30
MTBF	56 000 h
MTTR	Display: 5 min
Weight	1kg
Dimensions	235x145x62 mm (LxHxD)
Digit height	Hour/minute: 50 mm
Maximal distance of legibility	25 meters
Operating temperature	-20° to 50°C
Electrical equipment classification	⊕ Class 1 (in 115 ou 230 VAC) ⚡ Class 3 (in 24 VDC)

Key features

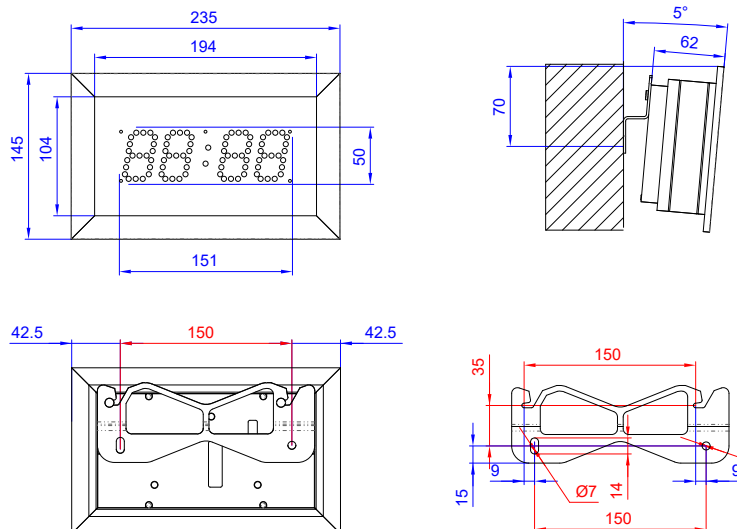
- **Perfectly silent**, direct and accurate reading of time
- **SMD LED technology**. Display in Red
- **The patented technology of the light guide** provides a perfect regularity of the brightness and viewing angle at 160°
- **The front face of the LEDI®** is coated with an antiglare and anti-scratch film giving an extraordinary 60000:1 level of contrast
- **A protection against over-voltage and industrial interference** via EMC filter
- **An easy "plug and play" installation**
- **An anodized aluminium case** wall mount or flush mount
- **Its participation in the sustainable development**, life span over 20 years
- **2 years warranty**

Display / LED characteristics

- **Single row LED display**
- SMD Technology, angle readability: 160°
 - Red 245 mcd

Synchronisation Input

- AFNOR NFS 87500
- IRIG B to specify on purchase order



LEDI® 5
Indoor / Single face
AFNOR NFS87500 receiver

		ITEM CODE				
		N3508	/			
			↑	↑	↑	↑
LED						
Red Colour <input checked="" type="checkbox"/>		1				
MOUNTING						
Standard: Wall mounting with bracket <input checked="" type="checkbox"/>		1				
Flush mount <input checked="" type="checkbox"/>		3				
COULOUR CASING						
Anodized grey aluminium <input checked="" type="checkbox"/>				7		
Painted black RAL 9005 aluminium <input checked="" type="checkbox"/>				0		
POWER SUPPLY						
Standard: 230VAC 50/60Hz <input checked="" type="checkbox"/>					0	
115VAC 50/60Hz <input checked="" type="checkbox"/>					1	
Low voltage power supply: 24 VDC <input checked="" type="checkbox"/>					4	
OPTIONS						
Tropicalization <input checked="" type="checkbox"/>						U
Hour 4 sec./ date 2sec. Alternation (not configurable) <input checked="" type="checkbox"/>						D