

Time setting

The professional LEDI® clocks can display the same time information, synchronized by a master clock or a time server.

Specifications

| | |
|--|--|
| Power supply | NTP Version: PoE (Power over Ethernet) |
| Certifications | CE, EN 62368, EN 55032, EN 55035, ROHS |
| Maximum consumption | 13,66 VA |
| IP | 30 |
| MTBF | 56 225 h |
| MTTR | Display: 5 min |
| Weight | 1kg |
| Dimensions | 235x145x62 mm (LxHxD) |
| Digit height | Hour/minute: 50 mm |
| Maximal distance of legibility | 25 meters |
| Operating temperature | -20° to 50°C |
| Electrical equipment classification | ⊕ Class 1 (in 115 ou 230 VAC) ⊕ Class 3 (in 24 VDC) |

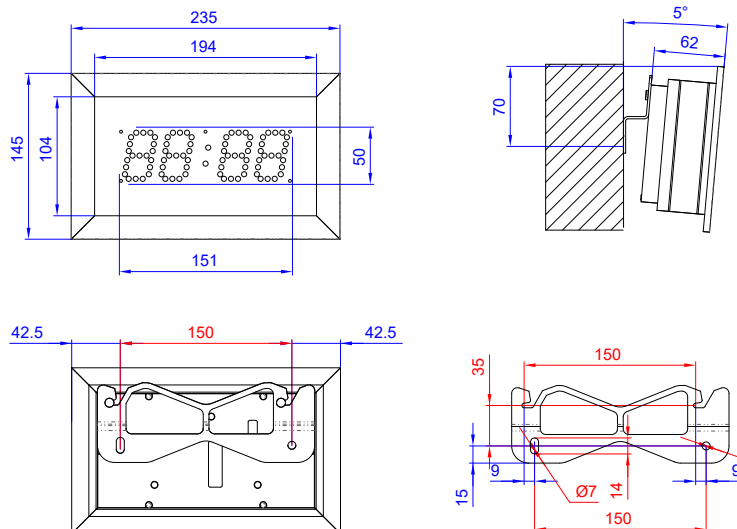
Key features

- **Perfectly silent**, direct and accurate reading of time
- **SMD LED technology**. Display in Red
- **The patented technology of the light guide** provides a perfect regularity of the brightness and viewing angle at 160°
- **The front face of the LEDI®** is coated with an antiglare and anti-scratch film giving an extraordinary 60000:1 level of contrast
- **A protection against over-voltage and industrial interference** via EMC filter
- **An easy "plug and play" installation**
- **An anodized aluminium case** wall mount or flush mount
- **Its participation in the sustainable development**, life span over 20 years
- **2 years warranty**
- Selection of colours (independently between wave and numbers) and brightness
- Behaviour of central dots (fixed, blinking...)

Synchronisation Input

Standard Version (option N)

- Synchronisation of up to 3 NTP servers
- Time zone selection and automatic summer/winter time change
- Supervision by SNMP v1, v2.c
- Configurations accessible via http and/or https
- IPv4 / IPv6 protocols
- Stopwatch/timer: simple option (triggering of a count sequence or countdown by button via web page or SNMP)
- Sensor: option to manage an SNMP Temperature or Humidity sensor



LEDI® 5
Indoor / Single face
NTP PoE

| | | CODE ARTICLE | | | | | | | |
|---------------------------|---|--------------|---|---|---|---|--------------|---|---|
| | | N351 | | | | | | | |
| | | ↑ | ↑ | ↑ | ↑ | ↑ | ↑ | ↑ | ↑ |
| VERSION | | | | | | | | | |
| <input type="checkbox"/> | NTP Synchronisation (Ethernet RJ45 10/100) | N | | | | | | | |
| PROGRAMMABLE LED | | | | | | | | | |
| <input type="checkbox"/> | Selectable colour, red, yellow, green | | 1 | | | | | | |
| MOUNTING | | | | | | | | | |
| <input type="checkbox"/> | Standard: Wall mounting with bracket | | | 1 | | | | | |
| <input type="checkbox"/> | Flush mount | | | 3 | | | | | |
| COLOUR CASING | | | | | | | | | |
| <input type="checkbox"/> | Standard: Anodized grey aluminium | | | | 7 | | | | |
| <input type="checkbox"/> | Painted black RAL9005 Aluminium | | | | | | | | |
| Power supply | | | | | | | | | |
| <input type="checkbox"/> | Power over Ethernet (PoE - IEEE802.3af) | | | | | 7 | | | |
| TIMER OPTION | | | | | | | | | |
| <input type="checkbox"/> | ⁽⁵⁾ Timer function via web interface (versions K, N or W) | | | | | | F | | |
| <input type="checkbox"/> | ⁽³⁾ Touchscreen stopwatch casing, removable, built-in, counting/down, between axes 122 mm + 4 m of cable Fixing on case type 080041 | | | | | | C2 | | |
| <input type="checkbox"/> | ⁽⁶⁾ Touchscreen stopwatch casing, removable, built-in, counting/down, between axes 122 mm + 4 m of cable | | | | | | I2 | | |
| TEMPERATURE OPTION | | | | | | | | | |
| <input type="checkbox"/> | ⁽⁴⁾ Temperature probe (accuracy ± 0.5°C) + 5 m cable: temperature and hour displayed alternately | | | | | | T | | |
| <input type="checkbox"/> | ⁽⁵⁾ IP Temperature sensor module (versions K, N or W) | | | | | | G | | |
| ACCESSORY PARTS | | | | | | | | | |
| <input type="checkbox"/> | Adapter plate for bracket Vesa on clock (recommended support CLIFF 100) | | | | | | M11200469-M1 | | |
| <input type="checkbox"/> | Adapter plate for bracket Vesa on clock, supplied with the recommended support CLIFF 100 | | | | | | M11200469-M2 | | |

⁽³⁾ Option NOT available in NTP versions (N, K: Ethernet or W: Wi-Fi)

⁽⁴⁾ Option NOT available in NTP versions (N, K: Ethernet or W: Wi-Fi)

⁽⁵⁾ Option for NTP versions (Ethernet or Wi-Fi) only, and compatible with a Temperature Sensor via IP station to be ordered separately, see module 92261

⁽⁶⁾ Option available in NTP versions (N: Ethernet or W: Wi-Fi)