



Time setting

The professional LEDI® clocks can display the same time information, synchronized by a master clock or a time server. On standalone and pulse version, the time setting is manual. Display date and time alternately.

Internal time base

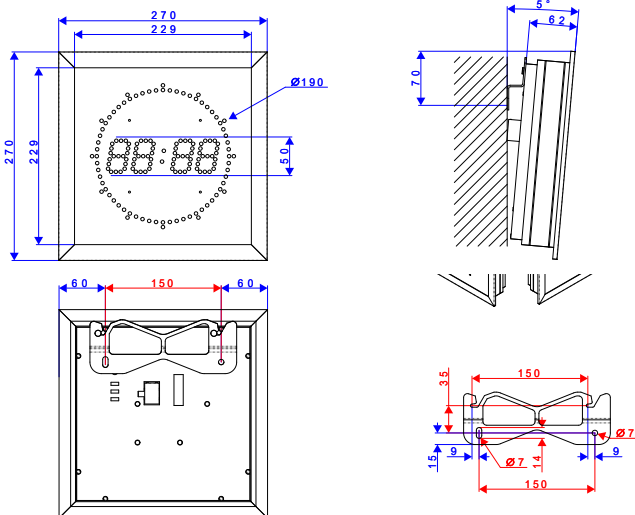
The LEDI® clock has its own temperature compensated TCXO time base which allows an accuracy about 0.1 sec / day between 0° to 40°C in case of synchronization loss.

Security

Backup of time information in case of mains absence, by lithium battery: 10 years.

Specifications

Power supply	230VAC 50/60Hz 115VAC 50/60Hz Low voltage 12, 24 or 48 VDC NTP Version: PoE (Power over Ethernet)
Certifications	CE, EN 62368, EN 55032, EN 55035, ROHS
Maximum consumption	11.41 VA
IP	30
MTBF	46 267 h
MTTR	Display: 5 min CPU : 5 min Power supply : 5 min
Weight	1,7 kg
Dimensions	270x270x62 mm (LxHxD)
Digit height	Hour/minutes/seconds: 50 mm Wave of seconds: 60 points
Maximal distance of legibility	25 meters
Operating temperature	-20° to 50°C
Electrical equipment classification	⊕ Class 1 (in 115 ou 230 VAC) ⊖ Class 3 (in 12, 24, 48 VDC or PoE)



LEDI® 5.60 Indoor / Single face

Professional LED clock,
robust and stylish combining the best of the technology
for an easy installation and operation.

Key features

- Perfectly silent, direct and accurate reading of time
- SMD bi-colour LED technology allows to change the display colour in red, green or yellow (optional white or blue)
- The patented technology of the light guide provides a perfect regularity of the brightness and viewing angle at 160°
- The front face of the LEDI® is coated with an antiglare and anti-scratch film giving an extraordinary 60000:1 level of contrast
- A protection against over-voltage and industrial interference via EMC filter
- An easy "plug and play" installation
- An anodized aluminium case wall mount or flush mount
- Its participation in the sustainable development, life span over 20 years
- 2 years warranty
- Up to 10 brightness levels for optimal viewing
- Remote and batch configuration via the optional "remote configuration" software
- Selection of colours (independently between wave and numbers) and brightness
- Behaviour of central dots (fixed, blinking...)

NTP Version

Advanced version (option K)

- Synchronisation of up to 4 NTPv4 servers and setting of advanced NTP options (poll rate / burst / preference order)
- Time zone selection and automatic summer/winter time change
- Supervision by SNMP v1, V2c, v3, SYSLOG, Consultation of event logs
- Configurations accessible via http and/or https
- Possibility of changing the display colour according to events (e.g. a loss of synchronisation changes the display colour to red)
- IPv4 / IPv6 protocols
- 12h or 24h mode
- Stopwatch/timer: advanced options fully configurable and programmable (start time, end time, colour change...), control and configuration via web page, GTCHRONO or SNMP
- Sensor*: Option to manage up to 3 different SNMP sensors (Temperature, Hygrometry, ...)

*Within the limits of the display

Standard Version (option N or W)

- Synchronisation of up to 3 NTP servers
- Time zone selection and automatic summer/winter time change
- Supervision by SNMP v1, v2.c
- Configurations accessible via http and/or https
- IPv4 / IPv6 protocols
- Stopwatch/timer: simple option (triggering of a count sequence or countdown by button via web page or SNMP)
- Sensor: option to manage an SNMP Temperature or Humidity sensor

Synchronisation Input

- TCXO Quartz Standalone
- DCF77 (EUROPE) with antenna or DCF24V with pair cable
- GPS
- Reverse parallel minute receiver 24V or 1/2 reverse minute series
- AFNOR NFS 87500 or IRIG B (to specify at purchase order)
- ASCII RS232, ASCII RS422/485
- Standard NTP (Option N) or advanced NTP (Option K) Ethernet 10/100BaseT
- Standard NTP Wi-Fi (IEEE 802.11 a/b/g/n standards 2.4 Ghz)
- SMPTE

LEDI® 5.60 Indoor / Single face

ITEM CODE

N343 /

↑ ↑ ↑ ↑ ↑ ↑

VERSION																				
Standalone: radio-synchronisable quartz time base 3.6864 MHz Holdover +/- 0.1 sec/24 h (between 0 and 40°C)	<input type="checkbox"/>	2																		
DCF Radiosynchronisation. DCF Antenna + 4m cable	<input type="checkbox"/>	D																		
⁽¹⁾ DCF 24Vdc Synchronisation (<i>Synchro in telecom pair cable</i>)	<input type="checkbox"/>	P																		
GPS Radiosynchronisation. GPS Antenna + 10m cable	<input type="checkbox"/>	G																		
6mA/24V reversed parallel minute pulses receiver clock	<input type="checkbox"/>	3																		
Serial reversed 1/2 minute pulses receiver clock Consumption 1.25V. 60 to 120mA. 39 ohms shunt	<input checked="" type="checkbox"/>	5																		
⁽²⁾ AFNOR NFS 87500 Receiver	<input type="checkbox"/>	8																		
SMPTE-EBU Receiver	<input checked="" type="checkbox"/>	7																		
ASCII RS 232 Receiver	<input type="checkbox"/>	B																		
ASCII 422/485 Receiver	<input type="checkbox"/>	Q																		
ADVANCED NTP Synchronisation (Ethernet RJ45 10/100)	<input checked="" type="checkbox"/>	K																		
STANDARD NTP Synchronisation (Ethernet RJ45 10/100)	<input type="checkbox"/>	N																		
STANDARD NTP Synchronisation (Wi-Fi IEEE 802.11 a/b/g/n standard 2.4 Ghz)	<input checked="" type="checkbox"/>	W																		

⁽¹⁾ Always combine this version with 230VAC 50/60Hz power supply only

⁽²⁾ If IRIG.B. version, please specify as a note on your order

PROGRAMMABLE LED																				
Selectable colour, red, yellow, green	<input type="checkbox"/>	1																		
Selectable colour white or blue	<input type="checkbox"/>	5																		

MOUNTING																				
Standard: Wall mounting with bracket	<input type="checkbox"/>	1																		
Flush mount	<input type="checkbox"/>	3																		

COULOUR CASING																				
Anodized grey aluminium	<input type="checkbox"/>	7																		
Painted black RAL9005 Aluminium	<input checked="" type="checkbox"/>	0																		

Power supply																				
Standard: 230VAC 50/60Hz	<input type="checkbox"/>	0																		
115VAC 50/60Hz (<i>Excluding version P</i>)	<input type="checkbox"/>	1																		
Power over Ethernet (PoE - IEEE802.3af) (<i>version N or K</i>)	<input type="checkbox"/>	7																		
Excluding version Low voltage power supply: 12 VDC (<i>Excluding versions K, N or W</i>)	<input type="checkbox"/>	2																		
Low voltage power supply: 24 VDC (<i>Excluding versions K, N or W</i>)	<input type="checkbox"/>	4																		
Low voltage power supply: 48 VDC (<i>Excluding versions K, N or W</i>)	<input type="checkbox"/>	6																		

OPTIONS																				
⁽⁵⁾ Timer function via web interface (<i>versions K, N or W</i>)	<input type="checkbox"/>																			F
⁽³⁾ Touchscreen stopwatch casing, removable, built-in, counting/down, between axes 122 mm + 4 m of cable	<input type="checkbox"/>																			I
⁽⁶⁾ Touchscreen stopwatch casing, removable, built-in, counting/down, between axes 122 mm + 4 m of cable	<input type="checkbox"/>																			I2
⁽³⁾ Touchscreen stopwatch casing, removable, built-in, counting/down, between axes 122 mm + 15 m of cable	<input type="checkbox"/>																			C
⁽⁴⁾ Temperature probe (accuracy ± 0.5°C) + 5 m cable: temperature and hour displayed alternately	<input type="checkbox"/>																			T
⁽⁵⁾ IP Temperature sensor module (<i>versions K, N or W</i>)	<input type="checkbox"/>																			G
⁽³⁾ Timer output or stopwatch contact	<input type="checkbox"/>																			E
⁽³⁾ ASCII RS232 output (<i>not to be combined with ASCII input version</i>)	<input type="checkbox"/>																			A
or:																				
⁽³⁾ ASCII RS422-485 output (<i>not to be combined with ASCII input version</i>)	<input type="checkbox"/>																			R
Tropicalization	<input type="checkbox"/>																			U

⁽³⁾ Option NOT available in NTP versions (N, K: Ethernet or W: Wi-Fi)

⁽⁴⁾ Option NOT available in NTP versions (N, K: Ethernet or W: Wi-Fi)

⁽⁵⁾ Option for NTP versions (Ethernet or Wi-Fi) only, and compatible with a Temperature Sensor via IP station to be ordered separately, see module 92261

⁽⁶⁾ Option available in NTP versions (N: Ethernet or W: Wi-Fi)