



Time setting

The professional LEDI® clocks can display the same time information, synchronized by a master clock or a time server. On standalone and pulse version, the time setting is manual. Display date and time alternately.

Internal time base

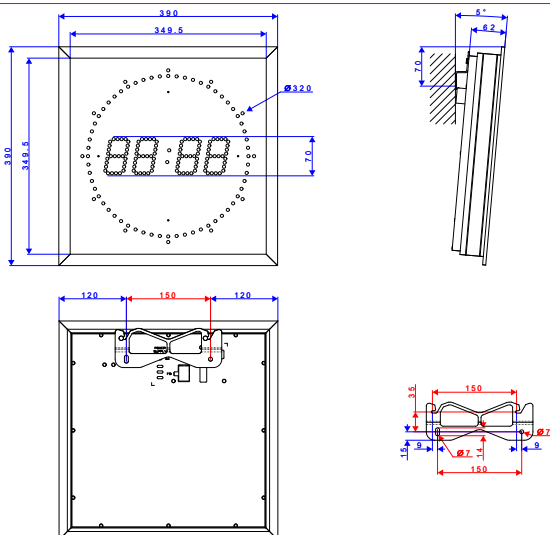
The LEDI® clock has its own temperature compensated TCXO time base which allows an accuracy about 0.1 sec / day between 0° to 40°C in case of synchronization loss.

Security

Backup of time information in case of mains absence, by lithium battery: 10 years.

Specifications

Power supply	230VAC 50/60Hz - 115VAC 50/60Hz Low voltage 12, 24 or 48 VDC NTP Version: PoE (Power over Ethernet)
Certifications	CE, EN 62368, EN 55032, EN 55035, ROHS
Maximum consumption	16.34 VA
IP	30
MTBF	46 267 h
MTTR	Display: 5 min CPU : 5 min Power supply : 5 min
Weight	2.9 kg
Dimensions	390x390x62 mm (LxHxD)
Digit height	Hour/minute: 70 mm Wave of seconds: 60 points
Maximal distance of legibility	35 meters
Operating temperature	-20° to 50°C
Electrical equipment classification	⊕ Class 1 (in 115 ou 230 VAC) ⊖ Class 3 (in 12, 24, 48 VDC or PoE)



LEDI® 7.60 Indoor / Single face

Professional LED clock,
robust and stylish combining the best of the technology
for an easy installation and operation.

Key features

- Perfectly silent, direct and accurate reading of time
- SMD bi-colour LED technology allows to change the display colour in red, green or yellow (optional white or blue)
- The patented technology of the light guide provides a perfect regularity of the brightness and viewing angle at 160°
- The front face of the LEDI® is coated with an antiglare and anti-scratch film giving an extraordinary 60000:1 level of contrast
- A protection against over-voltage and industrial interference via EMC filter
- An easy "plug and play" installation
- An anodized aluminium case wall mount or flush mount
- Its participation in the sustainable development, life span over 20 years
- 2 years warranty
- Up to 10 brightness levels for optimal viewing
- Remote and batch configuration via the optional "remote configuration" software
- Selection of colours (independently between wave and numbers) and brightness
- Behaviour of central dots (fixed, blinking...)

NTP Version

Advanced version (option K)

- Synchronisation of up to 4 NTPv4 servers and setting of advanced NTP options (poll rate / burst / preference order)
- Time zone selection and automatic summer/winter time change
- Supervision by SNMP v1, V2c, v3, SYSLOG, Consultation of event logs
- Configurations accessible via http and/or https
- Possibility of changing the display colour according to events (e.g. a loss of synchronisation changes the display colour to red)
- IPv4 / IPv6 protocols
- 12h or 24h mode
- Stopwatch/timer: advanced options fully configurable and programmable (start time, end time, colour change...), control and configuration via web page, GTCHRONO or SNMP
- Sensor*: Option to manage up to 3 different SNMP sensors (Temperature, Hygrometry, ...)

*Within the limits of the display

Standard Version (option N or W)

- Synchronisation of up to 3 NTP servers
- Time zone selection and automatic summer/winter time change
- Supervision by SNMP v1, v2.c
- Configurations accessible via http and/or https
- IPv4 / IPv6 protocols
- Stopwatch/timer: simple option (triggering of a count sequence or countdown by button via web page or SNMP)
- Sensor: option to manage an SNMP Temperature or Humidity sensor

Synchronisation Input

- TCXO Quartz Standalone
- DCF77 (EUROPE) with antenna or DCF24V with pair cable
- GPS
- Reverse parallel minute receiver 24V or 1/2 reverse minute series
- AFNOR NFS 87500 or IRIG B (to specify at purchase order)
- ASCII RS232, ASCII RS422/485
- Standard NTP (Option N) or advanced NTP (Option K) Ethernet 10/100BaseT
- Standard NTP Wi-Fi (IEEE 802.11 a/b/g/n standards 2.4 Ghz)
- SMPTE

LEDI® 7.60
Indoor / Single face

		ITEM CODE					
		N363					
		↑	↑	↑	↑	↑	↑
VERSION							
Standalone: radio-synchronisable quartz time base 3.6864 MHz Holdover +/- 0.1 sec/24 h (between 0 and 40°C)	<input type="checkbox"/>	2					
DCF Radiosynchronisation. DCF Antenna + 4m cable	<input type="checkbox"/>	D					
⁽¹⁾ DCF 24Vdc Synchronisation (<i>Synchro in telecom pair cable</i>)	<input type="checkbox"/>	P					
GPS Radiosynchronisation. GPS Antenna + 10m cable	<input type="checkbox"/>	G					
6mA/24V reversed parallel minute pulses receiver clock	<input type="checkbox"/>	3					
Serial reversed 1/2 minute pulses receiver clock Consumption 1.25V. 60 to 120mA. 39 ohms shunt	<input type="checkbox"/>	5					
⁽²⁾ AFNOR NFS 87500 Receiver	<input type="checkbox"/>	8					
SMPTE-EBU Receiver	<input type="checkbox"/>	7					
ASCII RS 232 Receiver	<input type="checkbox"/>	B					
ASCII 422/485 Receiver	<input type="checkbox"/>	Q					
ADVANCED NTP Synchronisation (Ethernet RJ45 10/100)	<input type="checkbox"/>	K					
STANDARD NTP Synchronisation (Ethernet RJ45 10/100)	<input type="checkbox"/>	N					
STANDARD NTP Synchronisation (Wi-Fi IEEE 802.11 a/b/g/n standard 2.4 Ghz)	<input type="checkbox"/>	W					
⁽¹⁾ Always combine this version with 230VAC 50/60Hz power supply only							
⁽²⁾ If IRIG.B. version, please specify as a note on your order							
PROGRAMMABLE LED							
Selectable colour, red, yellow, green	<input type="checkbox"/>	1					
Selectable colour white or blue	<input type="checkbox"/>	5					
MOUNTING							
Standard: Wall mounting with bracket	<input type="checkbox"/>	1					
Flush mount	<input type="checkbox"/>	3					
COULOUR CASING							
Anodized grey aluminium	<input type="checkbox"/>				7		
Painted black RAL9005 Aluminium	<input type="checkbox"/>				0		
Power supply							
Standard: 230VAC 50/60Hz	<input type="checkbox"/>				0		
115VAC 50/60Hz (<i>Excluding version P</i>)	<input type="checkbox"/>				1		
Power over Ethernet (PoE - IEEE802.3af) (<i>version N or K</i>)	<input type="checkbox"/>				7		
Excluding version Low voltage power supply: 12 VDC (<i>Excluding versions K, N or W</i>)	<input type="checkbox"/>				2		
Low voltage power supply: 24 VDC (<i>Excluding versions K, N or W</i>)	<input type="checkbox"/>				4		
Low voltage power supply: 48 VDC (<i>Excluding versions K, N or W</i>)	<input type="checkbox"/>				6		
OPTIONS							
⁽⁵⁾ Timer function via web interface (<i>versions K, N or W</i>)	<input type="checkbox"/>					F	
⁽³⁾ Touchscreen stopwatch casing, removable, built-in, counting/down, between axes 122 mm + 4 m of cable	<input type="checkbox"/>					I	
⁽⁶⁾ Touchscreen stopwatch casing, removable, built-in, counting/down, between axes 122 mm + 4 m of cable	<input type="checkbox"/>					I2	
⁽³⁾ Touchscreen stopwatch casing, removable, built-in, counting/down, between axes 122 mm + 15 m of cable	<input type="checkbox"/>					C	
⁽⁴⁾ Temperature probe (accuracy ± 0.5°C) + 5 m cable: temperature and hour displayed alternately	<input type="checkbox"/>					T	
⁽⁵⁾ IP Temperature sensor module (<i>versions K, N or W</i>)	<input type="checkbox"/>					G	
⁽³⁾ Timer output or stopwatch contact	<input type="checkbox"/>					E	
⁽³⁾ ASCII RS232 output (<i>not to be combined with ASCII input version</i>)	<input type="checkbox"/>					A	
or:	<input type="checkbox"/>					R	
⁽³⁾ ASCII RS422-485 output (<i>not to be combined with ASCII input version</i>)	<input type="checkbox"/>						
Tropicalization	<input type="checkbox"/>					U	

⁽³⁾ Option NOT available in NTP versions (N, K: Ethernet or W: Wi-Fi)

⁽⁴⁾ Option NOT available in NTP versions (N, K: Ethernet or W: Wi-Fi)

⁽⁵⁾ Option for NTP versions (Ethernet or Wi-Fi) only, and compatible with a Temperature Sensor via IP station to be ordered separately, see module 92261

⁽⁶⁾ Option available in NTP versions (N: Ethernet or W: Wi-Fi)