

Features

- Automatic time setting at power-up (depending on NTP configuration)
- Automatic Daylight Saving Time Switching
- Programming of switch time via calendar

Supervision

- Communication via Ethernet, easy configuration on web page
- Supporting SNMP V1, V2.c and V3

Security

- Backup of time information by lithium battery
- Configuration backup file on flash memory
- Functionality via Ethernet is encrypted and/or can be disable

Specifications

Power supply	PoE (Power over Ethernet) IEEE 802.3af 100-240 VAC – 50/60Hz (with injector*)
Certifications	CE, EN 60950 (safety), EN 55022 (EMC Transmission), EN 55024 (EMC immunity)
Maximal Consumption	2,5 W + 0,2 W per closed relay
IP	40
MTBF	40 000 h
MTTR	5 min.
Weight	0,6 kg
Dimensions	220x144x47 mm (LxHxD) Corresponds to 12U DIN in a rack
Casing	Aluminium
Display	LED operation indicator
Operating temperature	0 to 50°C
Storage temperature	-20 to 70°C
SOFTWARE GT pilot box	Windows OS

*to be ordered separately

LEDI® PILOT box

LEDI® PILOT box is an **Ethernet-connected programmer**.
It is configurable and monitored via Ethernet network,
equipped with relays for bells, lighting...

Key features

- Configuration of programmer and time setting via web page
- Compact size
- Easy programming of relays with the GT Pilot Box Software (Windows OS)
- Management of exceptions, switch function ON/OFF or Pulse
- Programming of LEDI® Pilot by group (dozen of boxes controlled from one PC equipped with GT Pilot Box software)
- Pulse mode for relay triggering: starting from 1 second
- Number of events per relay: a few hundred excluding recurrence
- Supervision via SNMP v1, v2c, v3
- Secured programs by configuration backup file on flash memory

Synchronisation input

- NTP v4 via Ethernet 10/100Base T (RJ45 port)

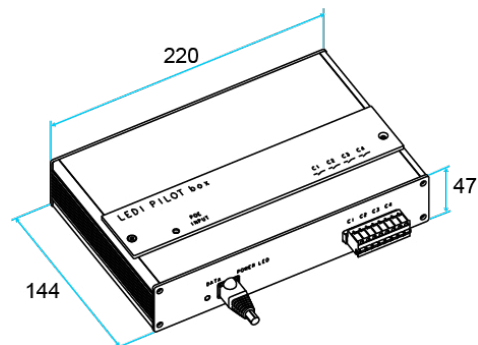
Power supply

- PoE (Power over Ethernet) IEEE 802.3af
- Optional: PoE injector for 100-240VAC power input via PoE

Programmer

La LEDI® PILOT allows scheduling of public holidays and vacations,
it operates on "Pulse" mode or "ON/OFF" mode

- Management by Calendar (GT Pilot box software)
- Remote configuration and Time setting via Ethernet
- 4 independant relays, voltage-free output, breaking capacity 250 Volts 8A
- Configuration by group



LEDI® PILOT box

ITEM CODE	
-----------	--

LEDI® PILOT box

Synchro NTP Power supply Power over Ethernet (PoE) IEEE 802.3af Standalone Aluminum Case 4 relay outputs 250V/8A 2Kw	<input type="checkbox"/>	92234	
---	--------------------------	-------	--

ACCESSORIES

PoE Injector – 1 power input 100VAC-240VAC	<input type="checkbox"/>	92234-I	
Wall mount plate	<input type="checkbox"/>	92234-M	
Rail DIN mount plate	<input type="checkbox"/>	92234-R	

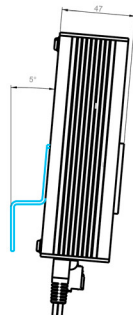
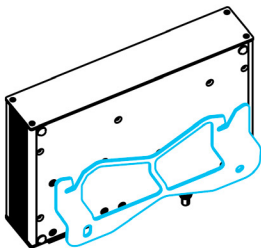
Note: The location of the LEDI® PILOT box corresponds to 12 modules in an electrical cabinet

GT Pilot box Software

PoE INJECTOR



WALL MOUNTING



RAIL DIN MOUNTING

