



Time setting

The professional LEDICA® clocks can display the same time information, synchronized by a master clock or a time server.

On standalone and pulse version, the time setting is manual. Display date and time alternately.


Internal time base

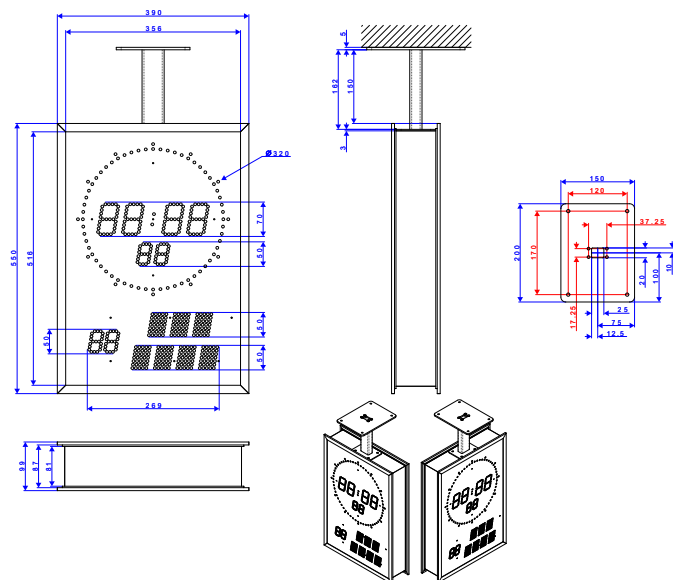
The LEDICA® clock has its own temperature compensated TCXO time base which allows an accuracy about 0.1 sec / day between 0° to 40°C in case of synchronization loss.

Security

Backup of time information in case of mains absence, by lithium battery: 10 years.

Specifications

Power supply	230VAC 50/60Hz - 115VAC 50/60Hz Low voltage 12, 24 or 48 VDC NTP Version: PoE (Power over Ethernet)
Certifications	CE, EN 62368, EN 55032, EN 55035, ROHS
Maximum consumption	19,55 VA
IP	30
MTBF	46 267 h.
MTTR	Display: 5 min / CPU: 5 min / Power supply: 5 min
Weight	3.9 – 4.4 kg
Dimensions	390x550x99 mm (LxHxD) Mounting bracket: 150 mm
Digit height	Hour/minute: 70 mm Second : 50 mm Wave of seconds : 60 points Date: 50 mm (Alphanumeric display for day and month)
Maximal distance of legibility	35 meters
Operating temperature	-20° to 50°C
Electrical equipment classification	 Classe 2



LEDICA® ALPHA REVERSO 7.60.M.S Indoor / Double face

Professional LED clock with tri-color display, robust and stylish combining the best of the technology for an easy installation and operation.

Key features

- Pre-programmed calendar available in 11 languages
- Perfectly silent, direct and accurate reading of time
- SMD bi-colour LED technology allows to change the display colour in red, green or yellow (optional white or blue)
- The patented technology of the light guide provides a perfect regularity of the brightness and viewing angle at 160°
- The front face of the LEDICA® is coated with an antiglare and anti-scratch film giving an extraordinary 60000:1 level of contrast
- A protection against over-voltage and industrial interference via EMC filter
- An easy "plug and play" installation
- An anodized aluminium case: double face IP30 on bracket.
- Its participation in the sustainable development, life span over 20 years
- 2 years warranty
- Up to 10 brightness levels for optimal viewing
- Remote and batch configuration via the optional "remote configuration" software
- Selection of colours (independently between wave and numbers) and brightness
- Behaviour of central dots (fixed, blinking...)

NTP Version

Advanced version (option K)

- Synchronisation of up to 4 NTPv4 servers and setting of advanced NTP options (poll rate / burst / preference order)
- Time zone selection and automatic summer/winter time change
- Supervision by SNMP v1, V2c, v3, SYSLOG, Consultation of event logs
- Configurations accessible via http and/or https
- Possibility of changing the display colour according to events (e.g. a loss of synchronisation changes the display colour to red)
- IPv4 / IPv6 protocols
- 12h or 24h mode
- Stopwatch/timer: advanced options fully configurable and programmable (start time, end time, colour change...), control and configuration via web page, GTCHRONO or SNMP
- Sensor*: Option to manage up to 3 different SNMP sensors (Temperature, Hygrometry, ...)

*Within the limits of the display

Standard Version (option N or W)

- Synchronisation of up to 3 NTP servers
- Time zone selection and automatic summer/winter time change
- Supervision by SNMP v1, v2.c
- Configurations accessible via http and/or https
- IPv4 / IPv6 protocols
- Stopwatch/timer: simple option (triggering of a count sequence or countdown by button via web page or SNMP)
- Sensor: option to manage an SNMP Temperature or Humidity sensor

Synchronisation Input

- TCXO Quartz Standalone
- DCF77 (EUROPE) with antenna or DCF24V with pair cable
- GPS
- Reverse parallel minute receiver 24V or 1/2 reverse minute series
- AFNOR NFS 87500 or IIRIG B (to specify at purchase order)
- ASCII RS232, ASCII RS422/485
- Standard NTP (Option N) or advanced NTP (Option K) Ethernet 10/100BaseT
- Standard NTP Wi-Fi (IEEE 802.11 a/b/g/n standards 2.4 Ghz)
- SMPTE

LEDICA® ALPHA REVERSO 7.60.M.S
Indoor / Double face

CODE ARTICLE

ND3004 /

VERSION							
Standalone: radio-synchronisable quartz time base 3.6864 MHz Holdover +/- 0.1 sec/24 h (between 0 and 40°C)	<input type="checkbox"/>	2					
DCF Radiosynchronisation. DCF Antenna + 4m cable	<input type="checkbox"/>	D					
⁽¹⁾ DCF 24Vdc Synchronisation (<i>Synchro in telecom pair cable</i>)	<input type="checkbox"/>	P					
GPS Radiosynchronisation. GPS Antenna + 10m cable	<input type="checkbox"/>	G					
6mA/24V reversed parallel minute pulses receiver clock	<input type="checkbox"/>	3					
Serial reversed 1/2 minute pulses receiver clock	<input type="checkbox"/>	5					
Consumption 1.25V. 60 to 120mA. 39 ohms shunt	<input type="checkbox"/>						
⁽²⁾ AFNOR NFS 87500 Receiver	<input type="checkbox"/>	8					
SMPTE-EBU Receiver	<input type="checkbox"/>	7					
ASCII RS 232 Receiver	<input type="checkbox"/>	B					
ASCII 422/485 Receiver	<input type="checkbox"/>	Q					
ADVANCED NTP Synchronisation (Ethernet RJ45 10/100)	<input type="checkbox"/>	K					
STANDARD NTP Synchronisation (Ethernet RJ45 10/100)	<input type="checkbox"/>	N					
STANDARD NTP Synchronisation (Wi-Fi IEEE 802.11 a/b/g/n standard 2.4 Ghz)	<input type="checkbox"/>	W					

⁽¹⁾ Always combine this version with 230VAC 50/60Hz power supply only
⁽²⁾ If IRIG.B. version, please specify as a note on your order

PROGRAMMABLE LED							
Selectable colour, red, yellow, green	<input type="checkbox"/>	1					
Selectable colour white or blue	<input type="checkbox"/>	5					

FIXATION							
Please refer to the brackets technical sheet	<input type="checkbox"/>				P		

CASE COLOR							
Anodized grey aluminium	<input type="checkbox"/>				7		
Painted black RAL9005 Aluminium	<input type="checkbox"/>				0		
Specific	<input type="checkbox"/>				X		

POWER SUPPLY							
Standard: 230VAC 50/60Hz	<input type="checkbox"/>				0		
115VAC 50/60Hz (<i>Excluding version P</i>)	<input type="checkbox"/>				1		
Power over Ethernet (PoE - IEEE802.3af) (<i>version N or K</i>)	<input type="checkbox"/>				7		
Excluding version Low voltage power supply: 12 VDC (<i>Excluding versions K, N or W</i>)	<input type="checkbox"/>				2		
Low voltage power supply: 24 VDC (<i>Excluding versions K, N or W</i>)	<input type="checkbox"/>				4		
Low voltage power supply: 48 VDC (<i>Excluding versions K, N or W</i>)	<input type="checkbox"/>				6		

OPTIONS							
⁽⁴⁾ Timer function via web interface (<i>versions K, N or W</i>)	<input type="checkbox"/>				F		
⁽³⁾ Timer: touch housing control block (<i>flush and wall mount version</i>) + 4 meters of cable - up/down	<input type="checkbox"/>				I		
⁽³⁾ Timer: touch housing control block (<i>flush and wall mount version</i>) + 4 meters of cable - up/down	<input type="checkbox"/>				I2		
⁽³⁾ Timer: touch housing control block (<i>flush and wall mount version</i>) + 15 meters of cable - up/down	<input type="checkbox"/>				C		
⁽³⁾ Temperature probe (accuracy ± 0.5°C) + 5 m cable: temperature and hour displayed alternately	<input type="checkbox"/>				T		
⁽⁵⁾ IP Temperature sensor module (<i>versions K, N or W</i>)	<input type="checkbox"/>				G		
⁽³⁾ Timer output or stopwatch contact	<input type="checkbox"/>				E		
⁽³⁾ ASCII RS232 output (<i>not to be combined with ASCII input version</i>)	<input type="checkbox"/>				A		
or:	<input type="checkbox"/>				R		
⁽³⁾ ASCII RS422-485 output (<i>not to be combined with ASCII input version</i>)	<input type="checkbox"/>						
Tropicalization	<input type="checkbox"/>				U		

⁽³⁾ Option NOT available in NTP versions (N, K: Ethernet or W: Wi-Fi)
⁽⁴⁾ Option NOT available in NTP versions (N, K: Ethernet or W: Wi-Fi)
⁽⁵⁾ Option for NTP versions (Ethernet or Wi-Fi) only, and compatible with a Temperature Sensor via IP station to be ordered separately, see module 92261
⁽⁶⁾ Option available in NTP versions (N: Ethernet or W: Wi-Fi)

