

RADIO TIMING® BGPS AFNOR

The RT BGPS AFNOR time base sends local time by using time code. It is synchronised by a GPS antenna which is provided with the product

The RT BGPS AFNOR includes 67 time zones with automatic daylight saving time.

The AFNOR time distribution consists in transmitting a complete time message containing hour, minute, second, day, month and year to the clocks.

Internal time base

- Accuracy: 0.2s/day

Spécificités

Power supply	100-240VAC 50-60Hz.
Certifications	Low voltage directive 2006/95/CE: EN60950. EMC directive 2004/108/CE: EN55022, EN55024
Consommation	9,2W
IP	IP 55, IK08
Weight	0,6 kg
Dimensions	150x110x90 mm (LxHxD)
Case	PVC
Operating temperature	-20°C to +50°C for 240V version.
Storage temperature	-20 to 70°C

OPERATING

Once the Nanotime is synchronised, the AFNOR output becomes active.

If the synchronisation is lost, the AFNOR output remains active.

After 24 hours without synchronisation, the synchro LED enters in search mode.

After a power failure, it is necessary to have the Nanotime synchronised for resetting the slave clocks.

A set of LEDs is used to verify the proper functioning of the product:

- Green LED indicating power supply.
- Red LED to check the status of the synchronisation.
- Red LED to check the status of the AFNOR output.

8 "TIME ZONE" DIP switches are used to set the local time. The RT BGPS AFNOR automatically handles the daylight saving times. These DIP switches can be set with the Nanotime switched on.

Two of these DIP switches are used to manually handle the daylight saving times:

- One is used to activate manual handling,
- Other one is used to set Winter or Summer time if manual handling is activated.

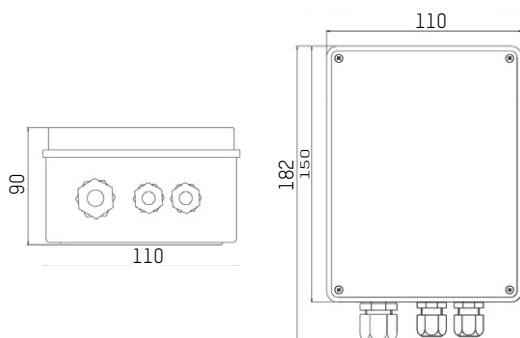
Synchronization signal

Input:

- GPS antenna with 20 meter cable (delivered with the product)

Output:

- AFNOR (NFS 87500-A) - (UTC time or Local time) - 10 clocks maximum.



ITEM CODE

4048B

/

↑

G

↑

SYNCHRONIZATION ANTENNA

GPS antenna with 20 meter cable (delivered with the product)

POWER SUPPLY

110-230VAC 50-60Hz

0