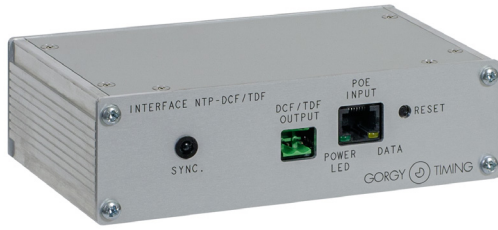


NTP/DCF TRANSCODING INTERFACE



*The transcoding interface is a system connected to the IT network synchronized by the **NTP protocol**. It is configurable and supervisable by Ethernet network and allows to distribute the **DCF code***

Features

- Automatic time setting at power on (depending on NTP configuration)
- Automatically managed summer/winter time change of the output
- DCF output on optocoupler (powered by the equipment)

Supervision

- Communication over Ethernet network, easy configuration by web page
- Supervision by SNMP V1, V2.c and V3 protocol

Security

Time saving information by lithium battery
Backup of configuration parameters in flash memory
Encrypted and/or disable network features

Specifications

Power supply possible	PoE (Power over Ethernet) 90-264 VAC – 50/60Hz (with injector*)
Certifications	CE, EN 62368 (Security), ROHS
Maximal Consumption	3 VA
IP	20
MTBF	40 000h
MTTR	5 min
Weight	0,6 kg
Dimensions	44 x 150 x 104mm (LxHxD)
Casing	Aluminium
Display	LED operation indicator
Operating temperature	0 to 50°C
Storage temperature	-20 to 70°C

*Injector to be ordered separately

PoE INJECTOR



Key features

- **Configuration and time setting via web page**
- **Compact Product**
- **Supervision** via SNMP v1, v2c, v3
- Program security ensured by saving parameters in flash memory

Synchronization signal

Input:

- NTP v4 Ethernet 10/100Base T input (RJ45 connector)

Output:

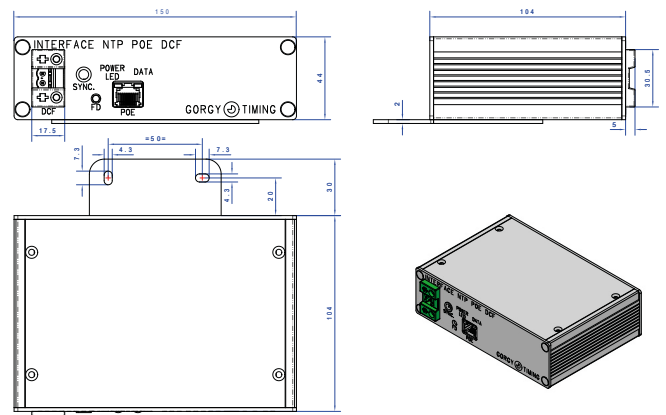
- DCF powered by the product between 2 and 10 V
- 2 points phénix connector

Power supply

- PoE (Power over Ethernet)
- As option PoE injector for 100-240VAC power by PoE

Mounting

- Wall-mounted with screw fastener
- To put down



ITEM CODE

NTP PoE / output DCF sync. transcoding interface	☑	92230/D	
POE injector, 1 output, power supply input 90VAC-264VAC for transcoding interface sync. NTP	☑	92230-I	